



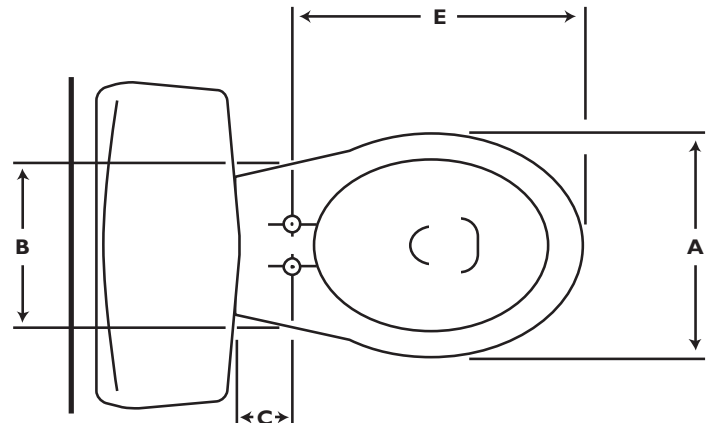
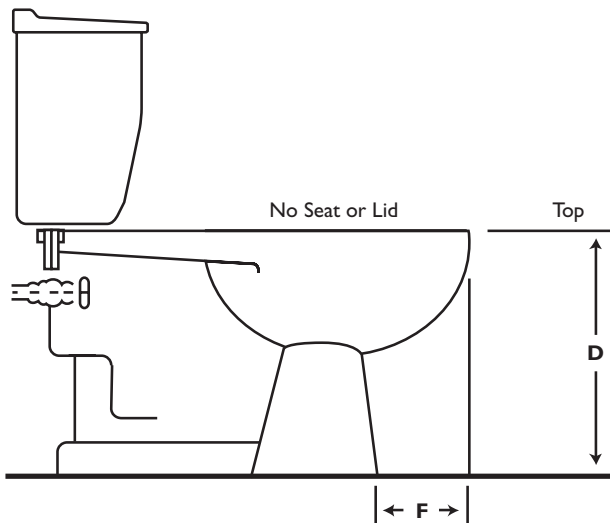
VALETTE®
Water Powered Toilet Lift
Pre Installation Information

Customer Name: _____

Job #: _____

Address: _____

Date: _____



The following measurements are required to best suit each customer and their existing bowl:

A _____

D _____ (from floor to top of bowl without toilet seat and lid)

B _____

E _____

C _____ (min 1-1/2")

F _____

Patient's Weight: _____

Patient's Height _____

Installation for Valette

Measurements from the right side of toilet bowl to wall or counter: _____ Left side: _____

House Water Pressure: _____

Control (Joystick) on top of the arm: Left side: _____ Right side: _____

Is the shut off valve in working order? Yes _____ No _____

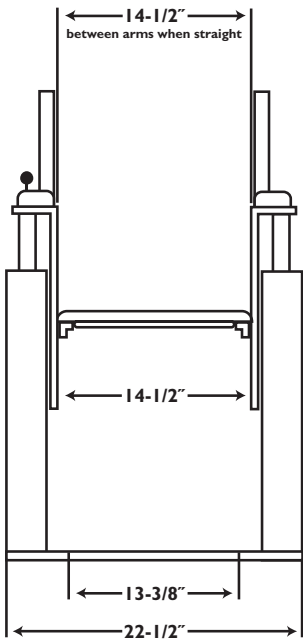
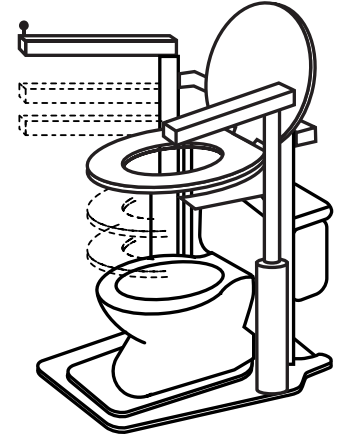
**For the power flush toilet (no water tank): It is the responsibility of the facility to provide a water supply line with a shut off within 3 feet of the toilet bowl*



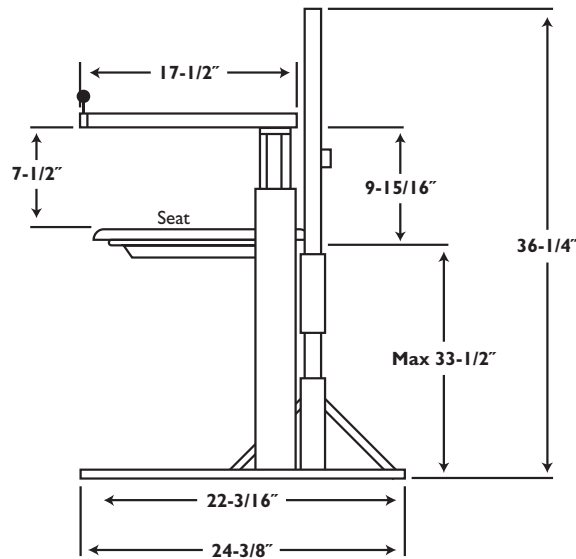
VALETTE®

Water Powered Toilet Lift - Model 3002

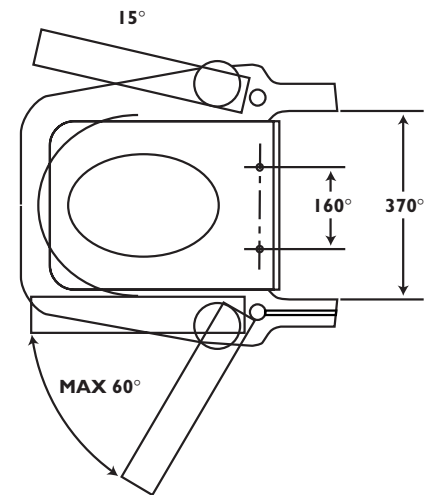
- 1) The Valette: Raises up to 33-1/2 inches from the floor to the highest point. Particularly pleasing for people that are 6 feet and taller, allows for more leg extension.
- 2) Hooks up to the existing water supply from the shut off valve to the tank. Valette Control: Joystick on the arm, easy to operate by push & pull. Valette is always ready to use.
- 3) Valette can be installed at place of work, does not interfere with others.
- 4) Capable of lifting 300 lbs maximum.



Front View



Side View



Top View

Procedure to Set the Correct Operating Water Pressure for VALETTE

Pull out the regulator adjusting knob and turn clockwise until the needle on the gauge reads 45 (45 lbs. per sq. inch).

DO NOT EXCEED 50 ON THE GAUGE OR YOU MAY DAMAGE THE HOSES.

VALETTE Connection to Plumbing

