



Features

- Power operated seat mechanism gently lifts and lowers up to 300 lbs.
- Swing out arms for side transfers
- Reduces possible back injuries to Caregivers
- Seat raises to 33-1/2" from floor
- Extra height makes it suitable for individuals over 6 ft. tall
- Water powered, no batteries to replace
- User is in full control at all times
- Fits over existing bowl height
- Heavy gauge steel and aluminum construction for strength and durability
- May qualify for third party reimbursement
- Rises approximately 1" per second

The **CLARK VALETTE** provides a unique personal assistance to privacy and independence for people who require help to use the toilet. A simple hand movement of the joystick is all that is required to lower you to the toilet bowl height and safely return you to a standing position.

ASSISTING PEOPLE TO GREATER INDEPENDENCE AND CONFIDENCE

The **CLARK VALETTE** is ideal for people who have Arthritis, post operative conditions, hip and knee flexion restrictions, muscle loss in their legs, Muscular Dystrophy, Multiple Sclerosis, Post Polio, Hemiplegia, Stroke, and other disabling conditions.

Kind Words From VALETTE Users

The VALETTE has enabled me to stand up easily without any strain on my shoulders.

Judy Hotchkiss, Bend, OR

The VALETTE has given me personal freedom and peace of mind when I am alone in my home. It's sturdy, secure and comfortable, and IT WORKS!

Richard Shlakman, Dallas TX

It (the VALETTE) has been a life saver for me since I cannot raise from sitting to a standing position.

Sharon Turner, Marion IL

The VALETTE has been a "gift from heaven".

Terry Campbell, Victoria B.C.



Options

- 16" Width
- 18" Bowl Height
- Restraint bar
- Splash guard

Installation

The **Valette** is delivered fully assembled. Start the installation by removing the existing toilet seat from bowl. Install the water pressure regulator on the water line to the toilet. Mount the **Valette** over the toilet bowl. Connect tubing on the **Valette** to water line. The **Valette** is now ready to operate.

Advantages of Using Powered Seat

- Eliminates the need for raised toilet seats, toilevators, and grab bars
- Your feet are always touching the floor
- Eliminates the need for caregiver or family assistance

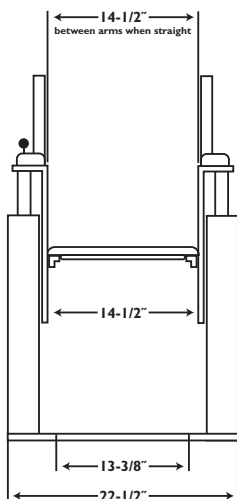
Operation

Operated by pushing lightly on joystick control on arm. Unit will raise or lower to and from the toilet seat only when pressure is exerted on joystick. May be stopped at any time by releasing the joy stick.

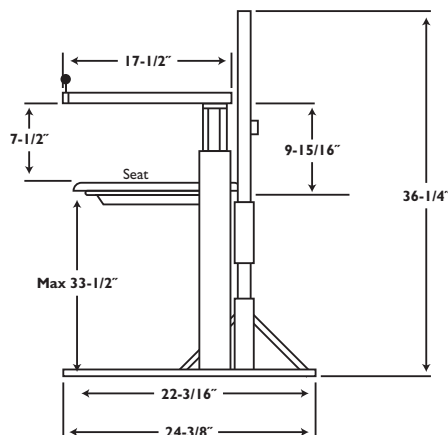
Specifications

CAPACITY: 300 lbs
POWER: Household water pressure (min. 40 psi)
CONTROL: Joystick
HEIGHT: 37 inches
WEIGHT: 100 lbs.

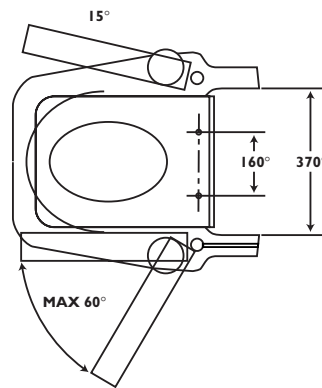
CONSTRUCTION: Heavy gauge steel and aluminum, zinc plated base, powder coated white, PVC
DIMENSIONS: 36-1/4" X 22-1/2" X 24-3/8"
WARRANTY: 1 Year limited warranty on all parts. Lifetime warranty on frame.



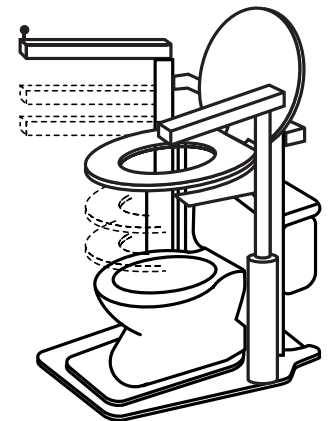
Front View



Side View



Top View



Lifting

VALETTE® water powered toilet lift