



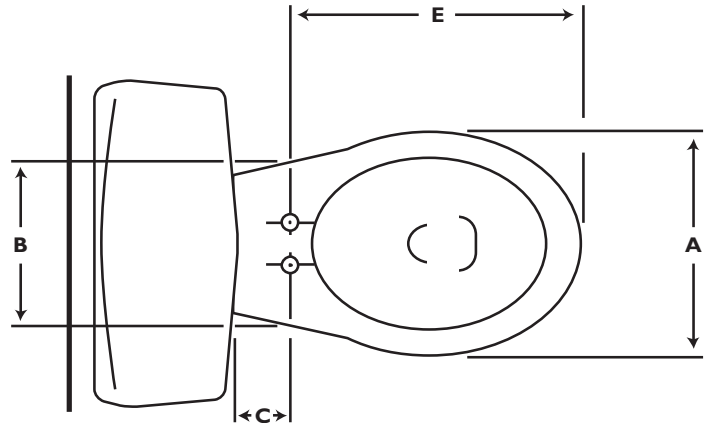
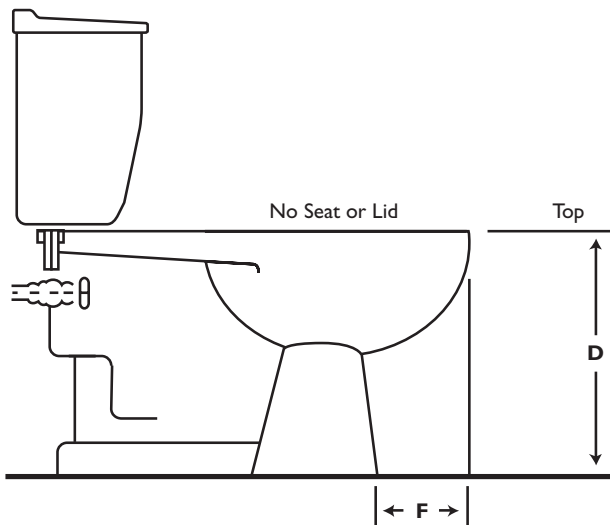
PAPI-LIFT®
Battery Powered Toilet Lift
Pre Installation Information

Customer Name: _____

Job #: _____

Address: _____

Date: _____



The following measurements are required to best suit each customer and their existing bowl:

A _____

D _____ (from floor to top of bowl without toilet seat and lid)

B _____

E _____

C _____ (min 1-1/2")

F _____

Patient's Weight: _____

Patient's Height _____

Measurements from the right side of toilet bowl to wall or counter: _____ Left side: _____

Control Switch Preference: Rocker type at the end of arm: _____ Left: _____ Right: _____

Joystick on top of the arm: _____ Left: _____ Right: _____

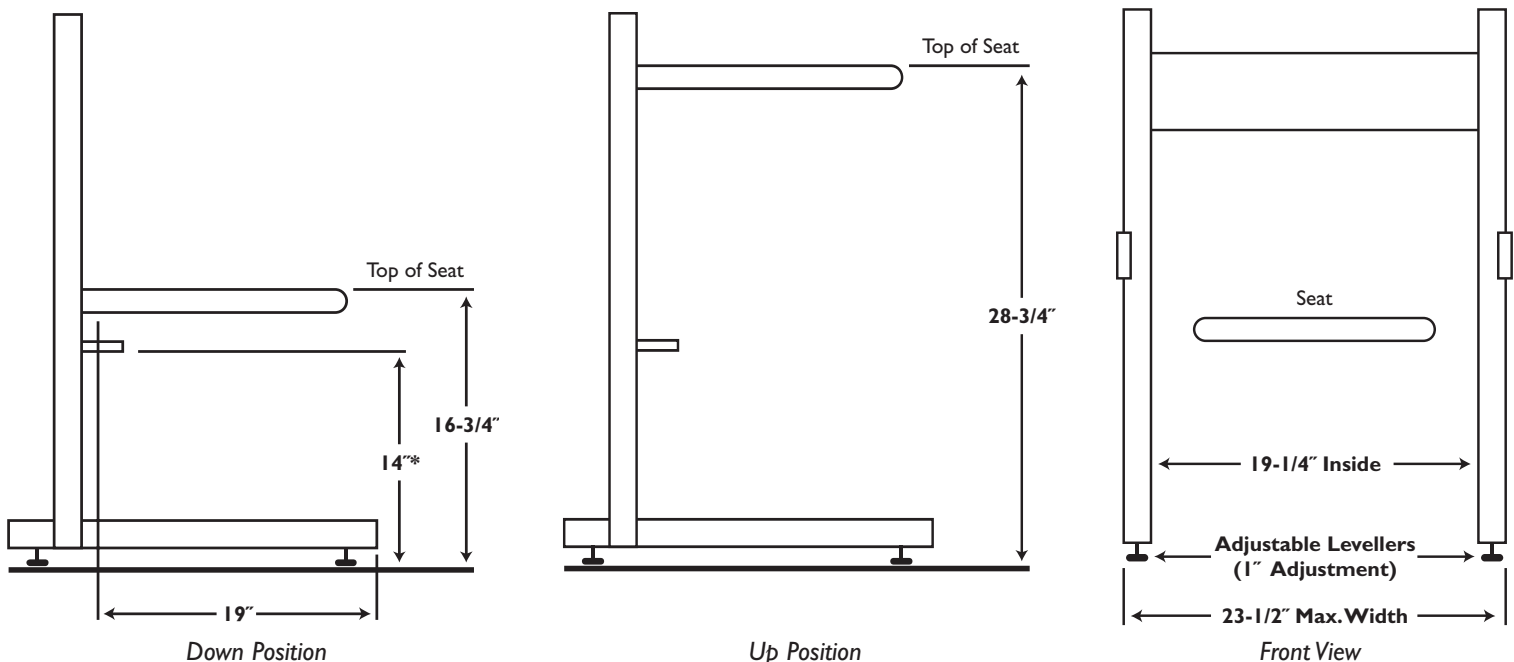
Seat Size Requested: Standard: _____ Elongated: _____

Unassisted: _____ Wheelchair transfer: _____ Caregiver assisted: _____

PAPI-LIFT®

Battery Powered Toilet Lift - Model 6000

- 1) Papi for 14" Bowl: Raises 28-1/2" from the floor to the highest point.
- 2) Papi for 18" Bowl: Raises 31-1/2" from the floor to the highest point.
- 3) Equipped with a 12Volt, 7 Amp Battery, & comes with charger.
- 4) Estimated lifts per charge are 12 to 14, depending on the persons weight.
- 5) Rocker Style Control: Located at the end of the arm.
- 6) Joy Stick Control: Mounted on the arm.
- 5) The Papi Lift: Portable, folds up flat to be moved to another location, i.e. vacation, cottage, second home.
- 6) The Papi can be modified to be used bedside with a commode pail.
- 7) Papi for 18" Bowl is available with 4 locking Castors.
- 8) Capable of lifting 300 lbs.



**Note: Standard model as shown to suit 14" bowl.
For 18" high bowl add extension feet (Part number 6037).*