



Features

- Power operated seat mechanism gently lifts and lowers up to 300 lbs.
- Portable - can be used as a bedside commode or over an existing toilet
- Seat raises to a maximum height of 34-3/4" from floor for an 18" bowl height
- Reduces possible back injuries to Caregivers
- Battery operated
- User is in full control at all times
- Fits over existing standard bowl height (14")
- Easily folds for travel and fits most vehicles
- Padded back and armrests for comfort
- Metal construction for strength and durability
- PAPI-LIFT commode chair may qualify for third party reimbursement
- Rises approximately 1" per second

The **CLARK PAPI-LIFT** power operated commode chair will provide assistance in privacy for people who require help to have independent use of the toilet. **PAPI-LIFT** can be used as a bedside commode or over an existing toilet. A simple hand movement is all that is required to lower you to the toilet bowl or commode pail and safely return you to a standing position. **PAPI-LIFT** power operated commode chairs are ideal for home use, nursing homes, assisted living homes and hospitals, and can be used in the bathroom or bedroom.

Restores Independence & Increases Confidence

The **PAPI-LIFT** commode chair is ideal for people who have Arthritis, post operative conditions, hip and knee flexion restrictions, muscle loss in their legs, Muscular Dystrophy, Multiple Sclerosis, Post Polio, Hemiplegia, Stroke, and other disabling conditions.

Kind Words From PAPI-LIFT Users

Your PAPI-LIFT has restored my independence, privacy, dignity and self-reliance as it has enabled me to rise from the toilet without assistance.

Diana Lynn, Mission Viejo, CA

...when using the toilet I have had to rely on others for help. Needless to say it's degrading and depressing. The PAPI-LIFT is an answer to my prayers.

Yvonne Hengesbaugh, Northville MI



Options

- Travel case
- Joystick control
- Casters (on 18" height only)
- 18" bowl height (custom order)

Installation

For Bedroom Use:

Slide in the commode pail. **PAPI-LIFT** is now ready to use.

For Bathroom Use:

Remove existing toilet seat from bowl. Level unit over toilet bowl. Align holes in mounting plate with holes in bowl. Install bolts provided. The **PAPI-LIFT** is now ready to operate.

Advantages of Using the PAPI-LIFT

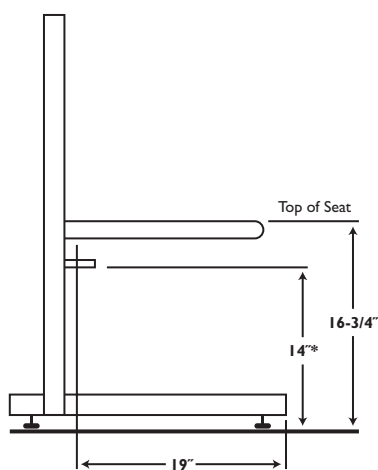
- Eliminates the need for raised toilet seats, toilevators, and grab bars
- Your feet are always touching the floor
- Reduces the need for caregiver or family assistance

Operation

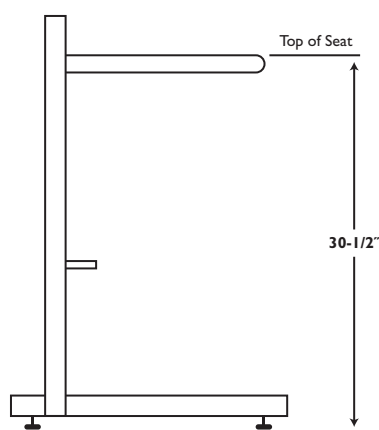
Operated by pressing lightly on rocker switch at the end of the arm. Unit will raise or lower to and from the toilet seat. May be stopped at any time by releasing switch.

Specifications

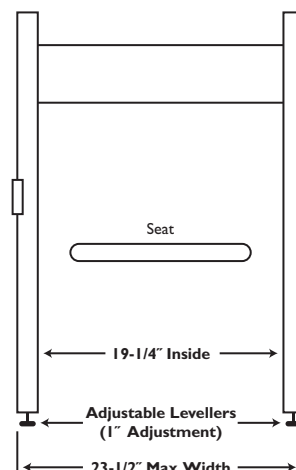
CAPACITY:	300 lbs	CONSTRUCTION:	Heavy gauge steel, powder coated white.
POWER:	12 Volt Rechargeable Battery	DIMENSIONS:	39" x 23" x 22"
BATTERY CHARGER:	120 Volt	FOLDED:	39" x 23" x 9"
CONTROL:	Rocker Switch (standard) Joystick (option)	WARRANTY:	1 Year warranty on power system components, 30 days on battery. Lifetime warranty on frame.
HEIGHT:	39 inches		
WEIGHT:	70 pounds		



Down Position



Up Position



Front View



Folded position with castors for easy handling and storage

**Note: Standard model as shown to suit 14" bowl.
For 18" high bowl add extension feet (Part number 6037).
Maximum height is now 34-3/4"*

PAPI-LIFT® your personal assistant to privacy & independence